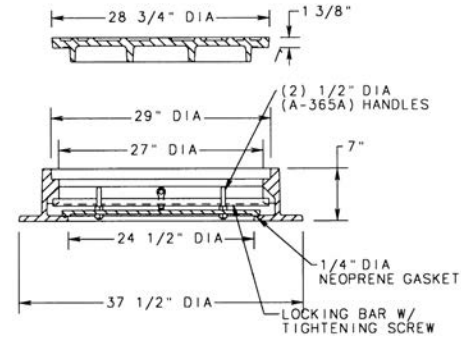


### 1893 FRAME & COVER

Heavy duty  
 Machined bearing surfaces  
 Frost proof assembly  
 Accepts 1890 covers

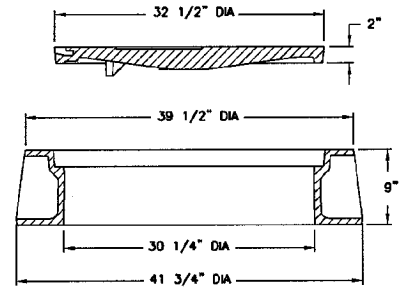
Options  
 Gasket seal covers  
 Locking



### 1895 AIRPORT MANHOLE FRAME & COVER

Airport Extra heavy duty  
 Proof load 345,000 lb.  
 Horizontal and vertical  
 machined bearing surfaces  
 Watertite assembly

Options  
 Recessed stainless steel hex  
 bolts or special security bolts  
 Special lettered covers  
 Gasket seal covers  
 Solid and vented covers  
 Drainage grate - 2780



#### MATERIAL SPECIFICATIONS

Frame - Gray Iron ASTM A48, Class 35B  
 Cover - Ductile Iron ASTM A536  
 Grate - Ductile Iron ASTM A536

**2880 Ductile Iron  
 Type M Flat Grate**  
 Approx. 375 sq. in.  
 open area

Supplied By:



877-903-7246

www.trenchdrainsupply.com

